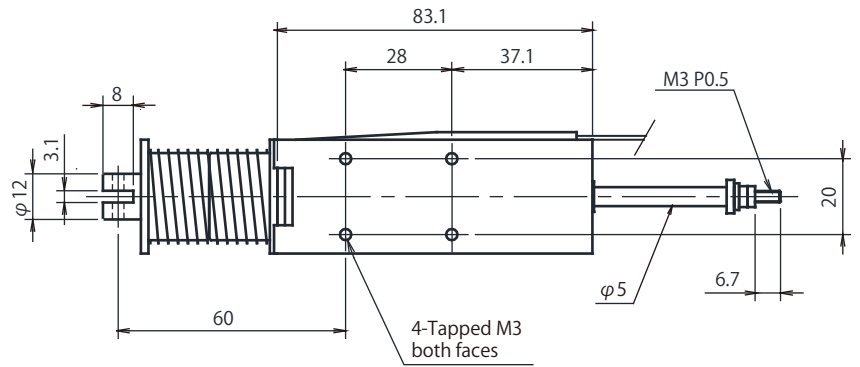


ON: Stroke 35



OFF: Stroke 0

Duty Cycle

Insulation Class A 105°C(221°F)

Part Number	Coil	Rated	Rated	Rated
	Resistance	DC6V	DC12V	DC24V
CH12840062	6.2	—	50%	12%
CH12840123	12.3	—	100%	25%
CH12840250	25	—	—	50%
CH12840500	50	—	—	100%

Caution: Using 6.2Ω and 12.3Ω at DC24V
 Since the solenoid operates at high speed, the impact may damage the body.
 Be sure to use the solenoid at or above the following load.

- CH12840062 Rated 12 % 2.5 N (250 g)
- CH12840123 Rated 25 % 1.0 N (100 g)

Graph Force - Stroke

DC24V 20°C(68°F)

