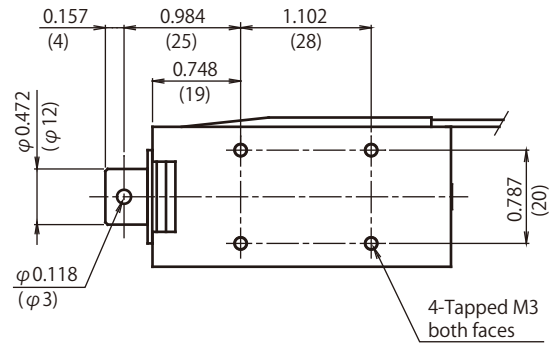
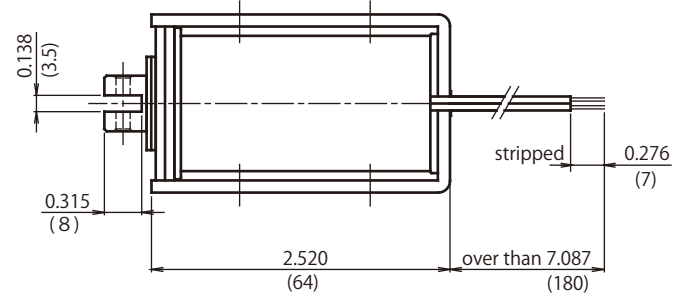
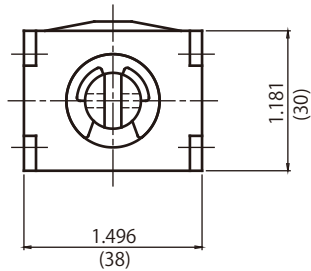




DIMENSIONS ARE $\frac{\text{INCHES}}{\text{MILLIMETERS}}$



Adsorbed position



Duty Cycle

Insulation Class A 105°C(221°F)

Part Number	Coil	Rated	Rated	Rated
	Resistance	DC6V	DC12V	DC24V
CA12640045	4.5 Ohms	100%	25%	6%
CA12640070	7 Ohms	-	40%	10%
CA12640180	18 Ohms	-	100%	25%
CA12640360	36 Ohms	-	-	50%
CA12640720	72 Ohms	-	-	100%

Graph Force - Stroke

DC24V 20°C(68°F)

