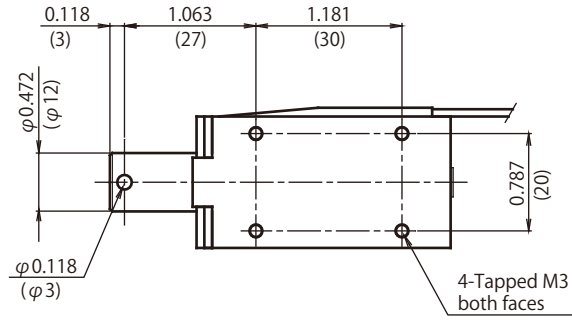
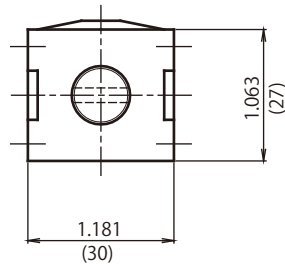
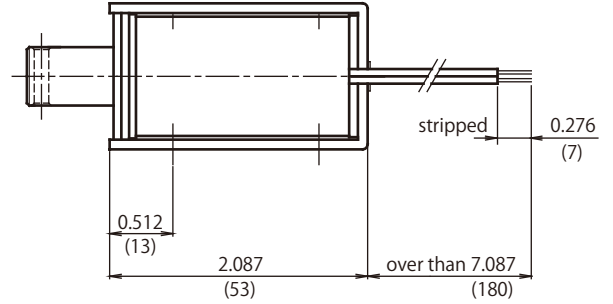




DIMENSIONS ARE $\frac{\text{INCHES}}{\text{MILLIMETERS}}$



Adsorbed position

Duty Cycle

Insulation Class A 105°C(221°F)

Part Number	Coil	Rated DC6V	Rated DC12V	Rated DC24V
	Resistance			
CA12530060	6 Ohms	100%	25%	6%
CA12530100	10 Ohms	-	40%	10%
CA12530240	24 Ohms	-	100%	25%
CA12530480	48 Ohms	-	-	50%
CA12530960	96 Ohms	-	-	100%

Graph Force - Stroke

DC24V 20°C(68°F)

