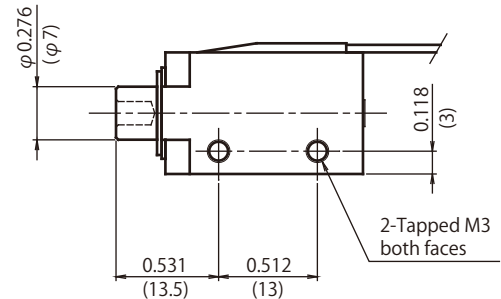
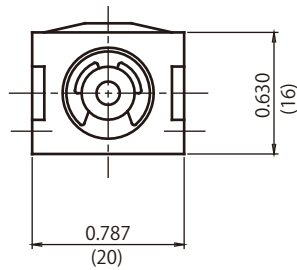
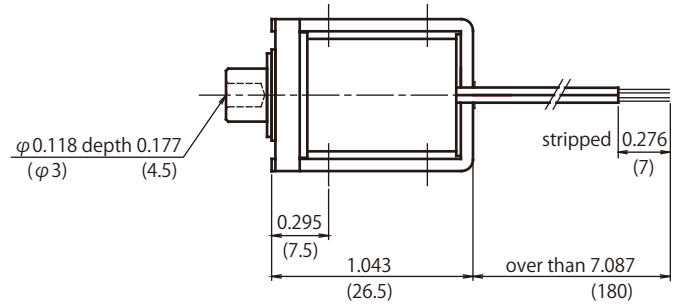




DIMENSIONS ARE  $\frac{\text{INCHES}}{\text{MILLIMETERS}}$



Adsorbed position

### Duty Cycle

Insulation Class A 105°C(221°F)

Part Number	Coil	Rated	Rated	Rated
	Resistance	DC6V	DC12V	DC24V
CA07260150	15 Ohms	100%	25%	6%
CA07260240	24 Ohms	-	40%	10%
CA07260600	60 Ohms	-	100%	25%
CA07261200	120 Ohms	-	-	50%
CA07262400	240 Ohms	-	-	100%

### Graph Force - Stroke

DC24V 20°C(68°F)

